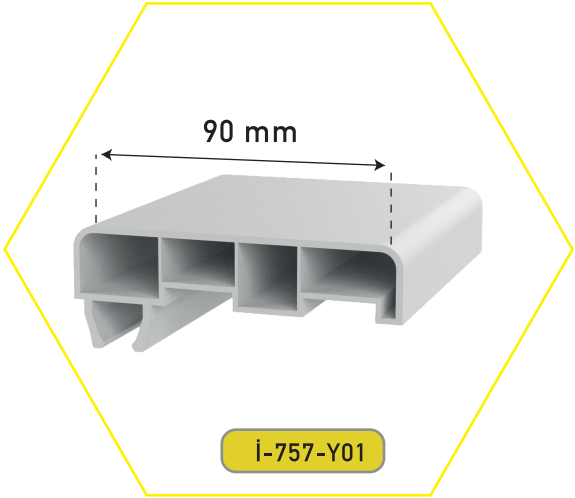


**i-801-iB**



**i-757-Y01**

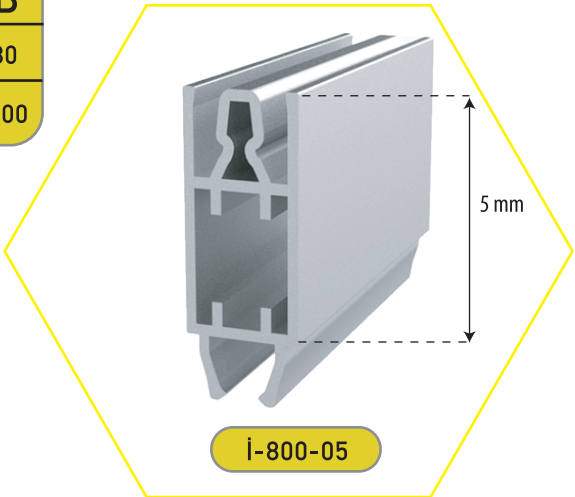
**i-757-02**

**i-800-05**

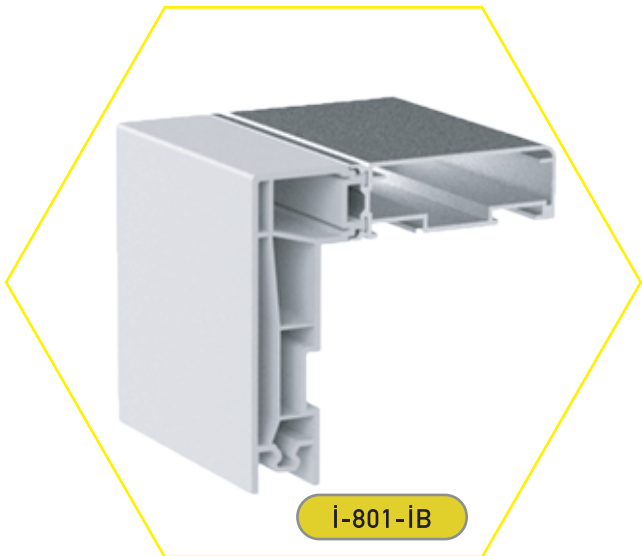
**i-757-Y01**

### Profile - Without Resistance Channel

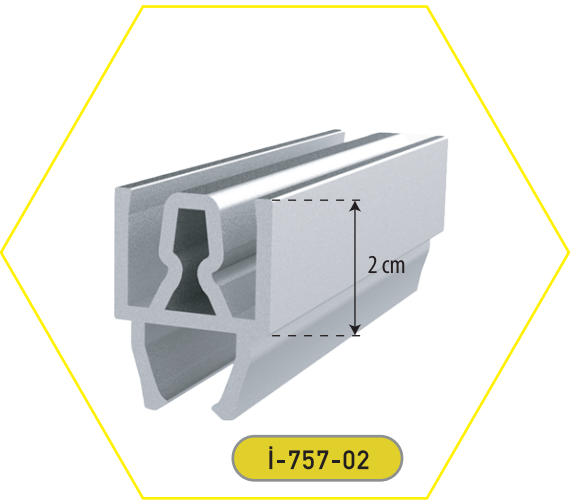
Profile Size	A	B
80 mm Profile	105	80
100 mm Profile	85	100



**i-800-05**



**i-801-iB**



**i-757-02**